

1x1 Color Video Sentry

KCS-1ARD Color Video Entry and Access Control

DESCRIPTION:

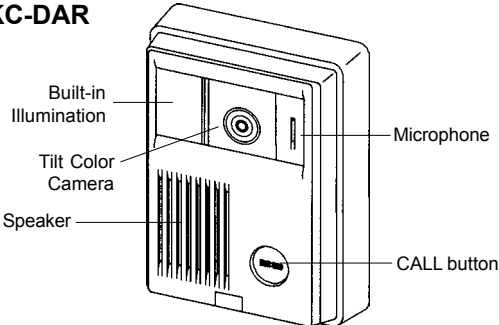
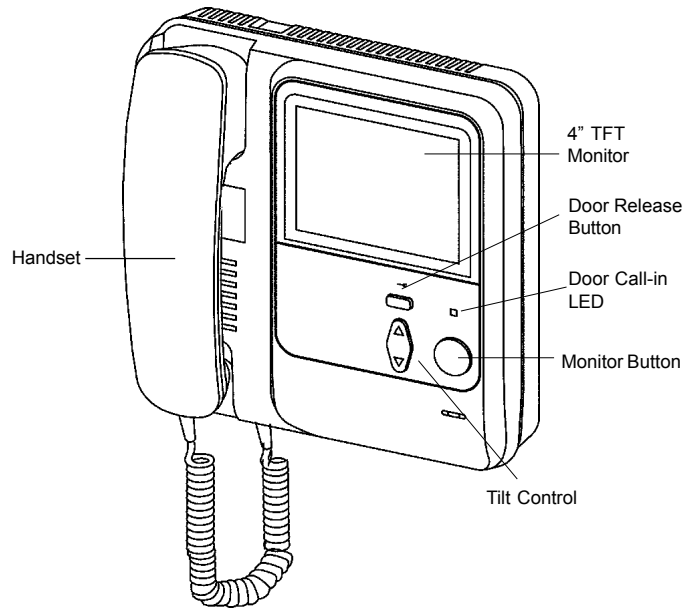
The KCS-1ARD Color Video Sentry set is a video entry system with one video door station and one inside monitor/handset station.

The video room station is equipped with a 4" flat color monitor, connected to a video door station located at an entry area. The video door station contains a CCD chip camera with illumination LEDs for low light applications. The camera is designed with a Tilt mechanism, allowing the viewer inside to adjust the camera's angle upwards by 40 degrees.

The video door station is equipped with white illuminator LEDs, turning on automatically in low light conditions for better viewing at night.

The inside monitor includes a door release button for activation of an electric strike. Brightness, contrast, and chime volume controls are located on the bottom of the monitor.

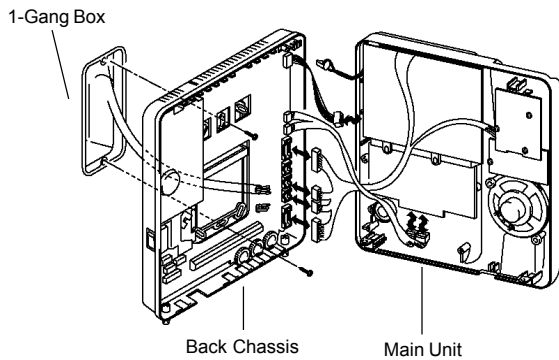
An incoming call from the door station sounds a 4 stroke chime. The monitor comes on displaying the image of the caller. The person at the inside station picks up to answer, and the visitor speaks hands free. The entry area can be monitored by pressing the "monitor" button on the room station. This allows both audio and video monitoring, staying on for approximately 30 seconds. The door release button can be used to activate an electric door strike.

KC-DAR**KC-1MRD****FEATURES & FUNCTIONS:**

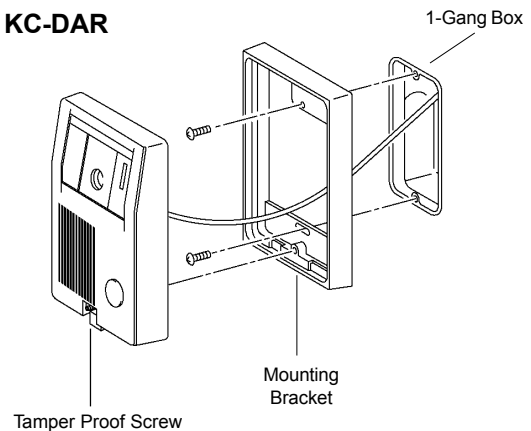
- One door station and one monitor/handset
- Wide angle color Tilt camera
- Color video monitor (4" TFT)
- Camera angle can be adjusted 40° vertically
- Chime at inside monitor when called from door
- Audio and video turns on when called or when monitoring
- Visually identify visitors before letting them in
- Handset for two-way communication at inside station
- Hands free communication at the door station
- Built-in illumination for low light conditions
- External light with automatic activation can be added
- Remotely activate door strike

MOUNTING & INSTALLATION:

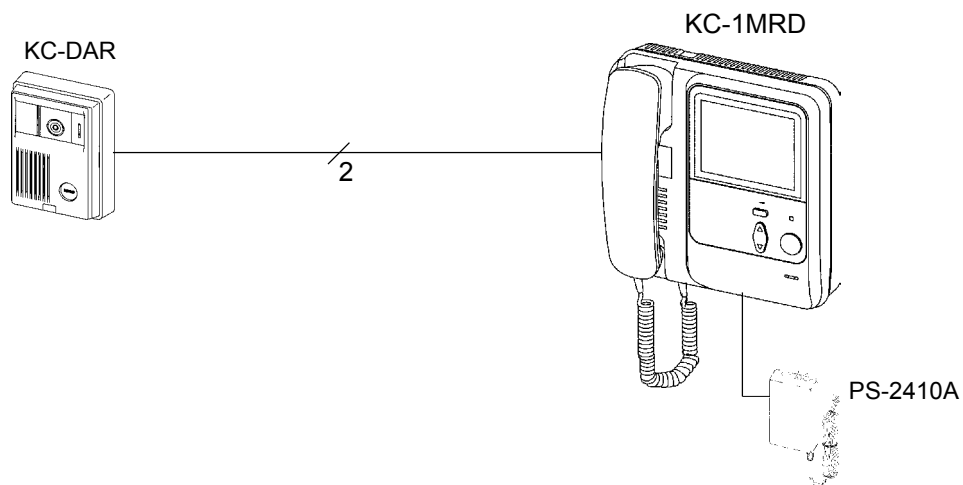
KC-1MRD



KC-DAR



System Layout Example:



SPECIFICATIONS:

Power Source:	24V DC. PS-2410A included in set.
Operating Temperature:	KC-DAR: 14° ~ 140° F KC-1MRD: 32° ~ 104° F
Camera Unit:	CCD (Charged Coupled Device) with infrared LED illumination
Overall Viewing Area:	36" Vert. x 72" Horiz. at 20"
Video Monitor:	4" TFT LCD
Scanning Lines:	525 lines
Communication:	Hands free at door station, Handset at monitor station
Wiring Distance:	KC-DAR to KC-1MRD: 165' w/22AWG; 330' w/18AWG PS-2410A to KC-1MRD: Length of cord, or max. 16' w/18AWG
Material:	ABS plastic
Color:	White
Mounting:	Surface mount to 1-gang box or ring
Door Release Contact:	Normally Open - 24V DC, 1A Max.
Dimensions (H x W x D):	KC-DAR: 5-1/2" x 4-1/8" x 1-3/4" KC-1MRD: 7-3/4" x 7-1/4" x 3-1/2"